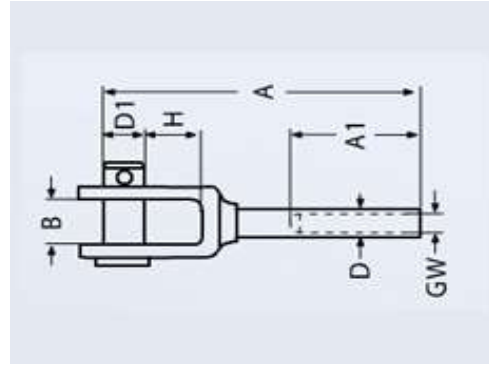


końcówka wantowa
gwint wewn. prawy
INOX mh8455

UWAGI:

- A2
- A4



Ø	d	h	b	d1	a	a1	A4
M5	7.5	10	4.3	5	55	27	●
M6	8.0	10	5.3	6	60	30	●
M8	12.0	12	6.3	8	65	31	●
M10	14.0	12	6.3	10	70	40	●

www.kastal.com.pl